

Models 7036-D and 7036-DT

Introduction

The Models 7036-D and 7036-DT are alternate configurations of the Model 7036 Single-Pole Relay Card. The Model 7036 consists of a scanner card and a connector card in a sandwich. The configurations are as follows:

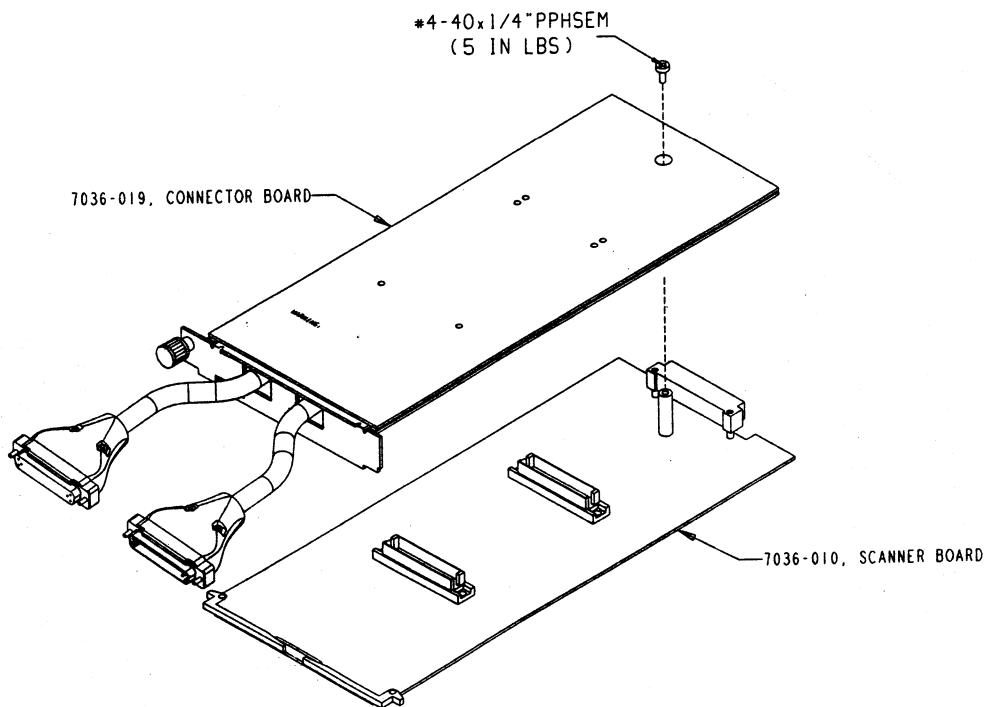
- Model 7036 - Scanner card and mass-terminated card with 96-pin male DIN connector.
- Model 7036-D - Scanner card and mass-terminated card/cable with 50-pin male and female D-Sub connectors.
- Model 7036-DT - Spare mass-terminated card/cable with 50-pin male and female D-Sub connectors.

The Model 7036 is described in its own manual (part number 7036-901-01). This addendum describes additions to that manual for the Models 7036-D and 7036-DT.

Internal connections

The two PC-boards that plug together are secured by a 4-40 screw (see Figure 1).

Figure 1
Mating the PC-boards



Input/output connections

WARNING

Connection and installation procedures are to be performed by qualified service personnel. Failure to recognize and observe standard safety precautions could result in personal injury or death.

Connections to external circuitry are made at the 50-pin D-Sub connectors. Connector pinouts are shown in Table 1. Figure 2 shows the solder-side view of a mating connector.

Table 1
Terminal identification

Male D-Sub (Ch. 21-40)				Female D-Sub (Ch. 1-20)			
Signal	Pin	Signal	Pin	Signal	Pin	Signal	Pin
IN21	1	IN34	26	IN20	1	IN7	26
OUT21	2	OUT34	27	OUT20	2	OUT7	27
IN24	3	IN37	28	IN17	3	IN4	28
OUT24	4	OUT37	29	OUT17	4	OUT4	29
IN27	5	IN40	30	IN14	5	IN1	30
OUT27	6	OUT40	31	OUT14	6	OUT1	31
IN30	7	N/C	32	IN11	7	N/C	32
OUT30	8	N/C	33	OUT11	8	N/C	33
IN33	9	IN23	34	IN8	9	IN18	34
OUT33	10	OUT23	35	OUT8	10	OUT18	35
IN36	11	IN26	36	IN5	11	IN15	36
OUT36	12	OUT26	37	OUT5	12	OUT15	37
IN39	13	IN29	38	IN2	13	IN12	38
OUT39	14	OUT29	39	OUT2	14	OUT12	39
N/C	15	IN32	40	N/C	15	IN9	40
N/C	16	OUT32	41	N/C	16	OUT9	41
N/C	17	IN35	42	N/C	17	IN6	42
IN22	18	OUT35	43	IN19	18	OUT6	43
OUT22	19	IN38	44	OUT19	19	IN3	44
IN25	20	OUT38	45	IN16	20	OUT3	45
OUT25	21	GND	46	OUT16	21	GND	46
IN28	22	N/C	47	IN13	22	N/C	47
OUT28	23	N/C	48	OUT13	23	N/C	48
IN31	24	N/C	49	IN10	24	N/C	49
OUT31	25	N/C	50	OUT10	25	N/C	50

Figure 2
Mating connector (solder-side view)

